

JVC

SERVICE MANUAL

COLOR TELEVISION

C-13110_{/X(US & CA)}

C-13111_{/X(US & CA)}

BASIC CHASSIS

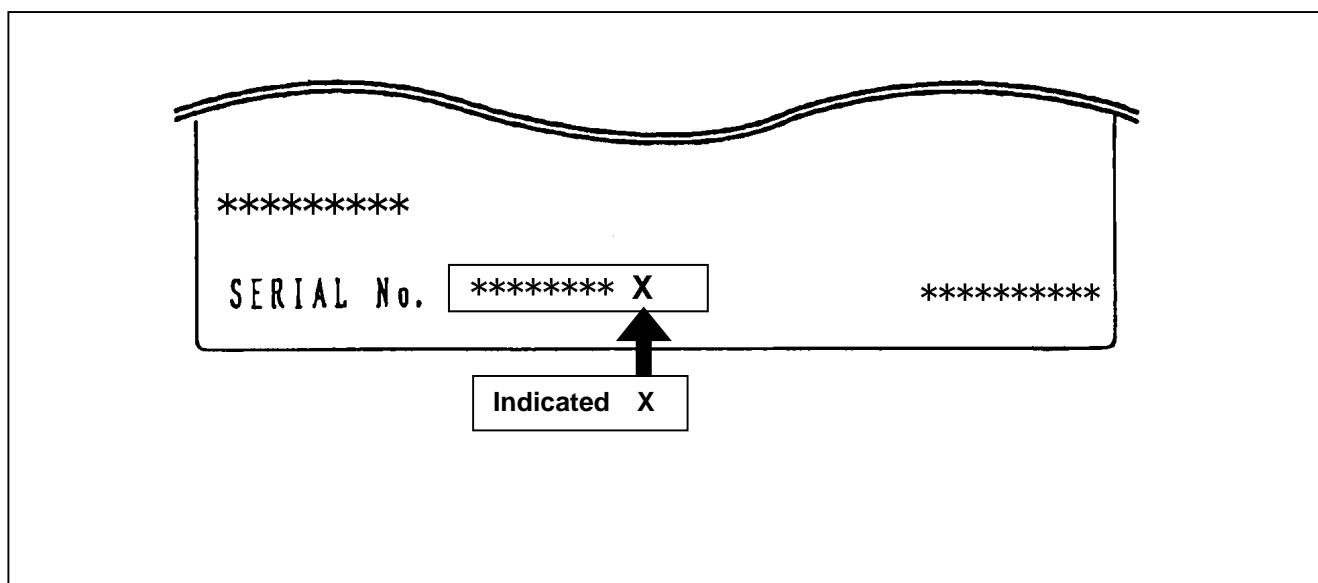
FV3

Supplementary

The following item for the C-13110_{/X(US&CA)}, C-13111_{/X(US&CA)} model were changed from those of the C-13110_(US&CA), C-13111_(US&CA) model. Therefore, this service manual describes only the items which differ from those of the C-13110_(US&CA), C-13111_(US&CA) service manual. For details other than those described in this manual, please refer to the C-13110_(US&CA), C-13111_(US&CA) service manual (No.51681, Dec. 1999).

MODEL IDENTIFICATION

While referring to the illustration given below, identify model name on the rating label affixed to the rear cover.



■ DIFFERENCE PARTS LIST

● EXPLODED VIEW PARTS LIST (Page26)

△	Ref. No.	Parts Number		Parts Name	Remarks
		C-13110(US&CA) (No.51681)	C-13110/X(US&CA) (No.51681B)		
△	14	CM22998-001-A	CM22998-A01-A	RATING LABEL(US)	Not Interchangeable

● EXPLODED VIEW PARTS LIST (Page26)

△	Ref. No.	Parts Number		Parts Name	Remarks
		C-13111(US&CA) (No.51681)	C-13111/X(US&CA) (No.51681B)		
△	12	LC10056-002F-A	LC10056-002G-A	REAR COVER	Not Interchangeable
△	14	CM22998-001-A	CM22998-A01-A	RATING LABEL(US)	↑

● MAIN PWB PARTS LIST (Page28~30)

△	Ref. No.	Parts Number		Parts Name	Remarks
		C-13110(US&CA) (No.51681)	C-13110/X(US&CA) (No.51681B)		
		SFV-1026A-M2	SFV-1042A-M2	Main PWB	Not Interchangeable
	R1001	QRE121J-5R6Y	_____	C RESISTER	Delete
	R1005	QRG01GJ-121	_____	OM RESISTER	↑
	R1145	NRSA02J-0R0X	NRSA02J-472X	CHIP RESISTER	Not Interchangeable
	R1146	_____	NRSA02J-562X	CHIP RESISTER	↑
	C1006	QETN1CM-476Z	QETN1EM-476Z	E CAP.	↑
	C1013	_____	NCB21HK-104X	CHIP C CAP.	Addition
	C1138	QETN1CM-476Z	QETN1EM-476Z	E CAP.	Not Interchangeable
	C1217	QETN1CM-476Z	QETN1EM-476Z	E CAP.	↑
	C1511	QETN1CM-476Z	QETN1EM-476Z	E CAP.	↑
	C1716	QETN1CM-476Z	QETN1EM-476Z	E CAP.	↑
	C1751	QETN1CM-476Z	QETN1EM-476Z	E CAP.	↑
	D1002	MTZJ5.1B-T2	_____	CHIP ZENER	Delete
	IC1001	_____	AN7805F	I.C.	Addition
	IC1701	M37272MA-050SP	M37272MA-053SP	I.C.	Not Interchangeable
△	TU1001	QAU0145-001	QAU0176-001	TUNER	↑

● MAIN PWB PARTS LIST (Page28~30)

△	Ref. No.	Parts Number		Parts Name	Remarks
		C-13111(US&CA) (No.51681)	C-13111/X(US&CA) (No.51681B)		
		SFV-1027A-M2	SFV-1043A-M2	Main PWB	Not Interchangeable
	R1001	QRE121J-5R6Y	_____	C RESISTER	Delete
	R1005	QRG01GJ-121	_____	OM RESISTER	↑
	R1145	NRSA02J-0R0X	NRSA02J-472X	CHIP RESISTER	Not Interchangeable
	R1146	_____	NRSA02J-562X	CHIP RESISTER	↑
	C1006	QETN1CM-476Z	QETN1EM-476Z	E CAP.	↑
	C1013	_____	NCB21HK-104X	CHIP C CAP.	Addition
	C1138	QETN1CM-476Z	QETN1EM-476Z	E CAP.	Not Interchangeable
	C1217	QETN1CM-476Z	QETN1EM-476Z	E CAP.	↑
	C1511	QETN1CM-476Z	QETN1EM-476Z	E CAP.	↑
	C1716	QETN1CM-476Z	QETN1EM-476Z	E CAP.	↑
	C1751	QETN1CM-476Z	QETN1EM-476Z	E CAP.	↑
	D1002	MTZJ5.1B-T2	_____	CHIP ZENER	Delete
	IC1001	_____	AN7805F	I.C.	Addition
△	TU1001	QAU0145-001	QAU0176-001	TUNER	Not Interchangeable

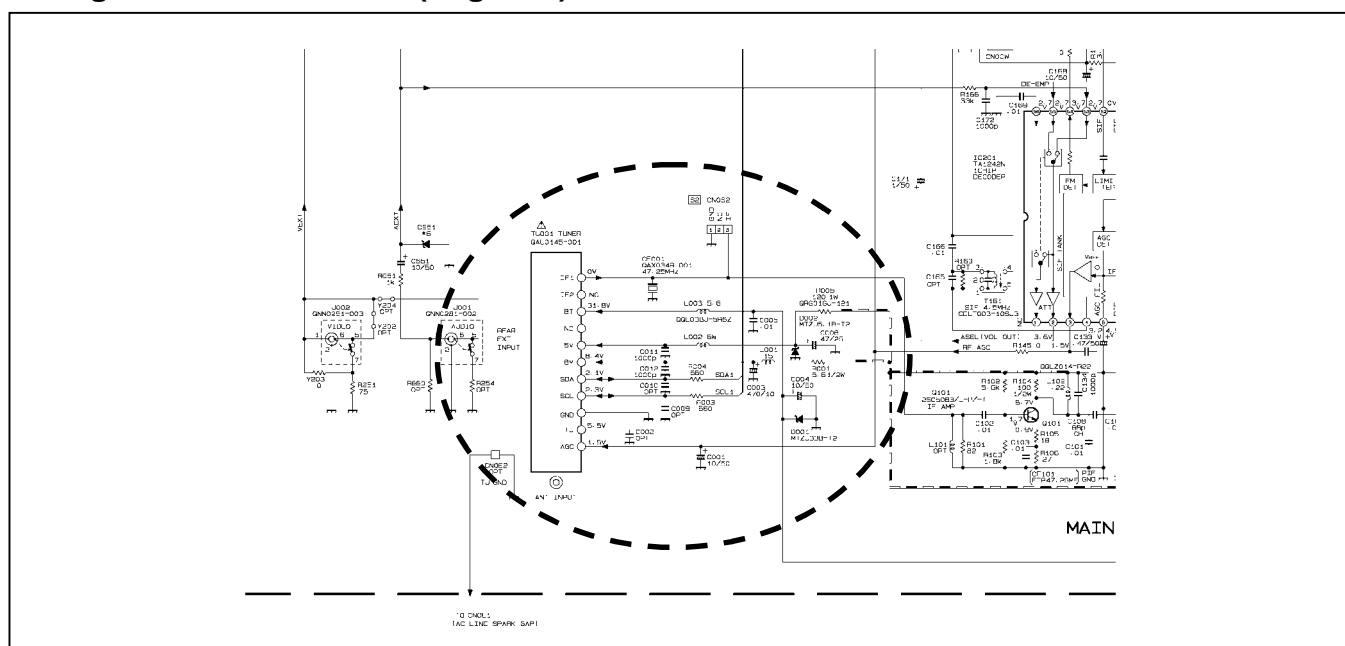
● PACKING (Page32)

△	Ref. No.	Model No. & Parts No.		Parts Name	Remarks
		C-13110(US&CA) (No.51681)	C-13110/X(US&CA) (No.51681B)		
	2	GQ10007-001A-A	LC10057-002C-A	CUSHION ASSY	Not Interchangeable
△	6	LCT0606-001A-A	LCT0606-001B-A	INST BOOK (CA) [FRENCH]	↑

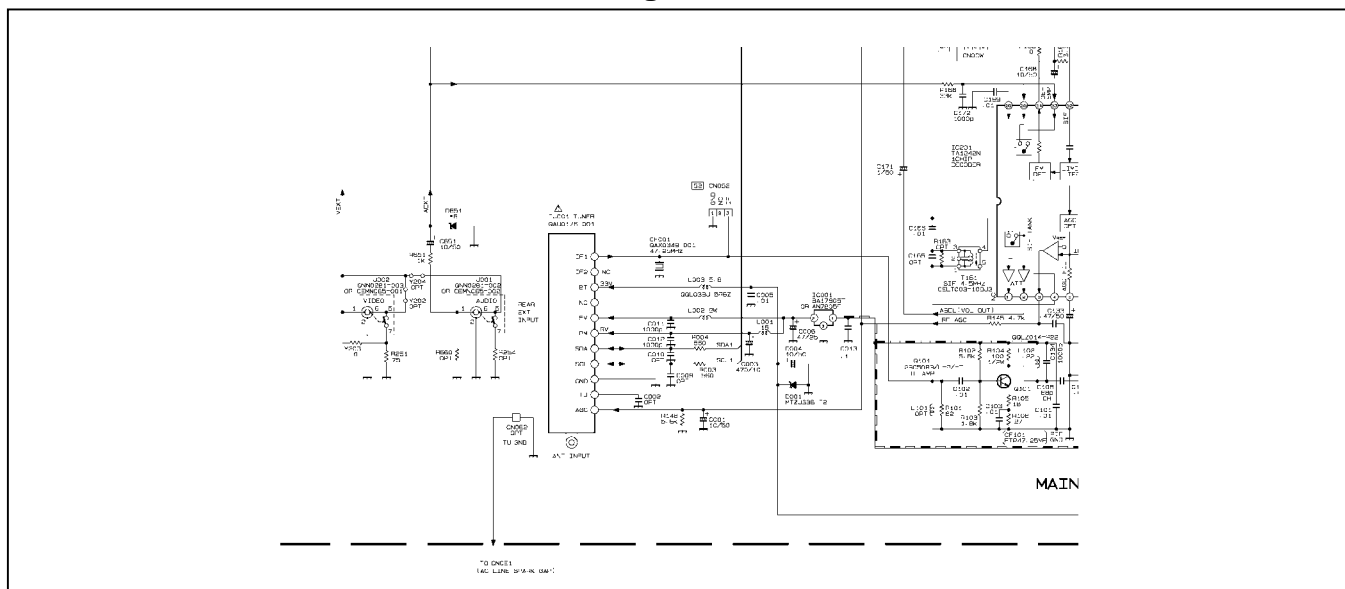
● PACKING (Page32)

△	Ref. No.	Model No. & Parts No.		Parts Name	Remarks
		C-13111(US&CA) (No.51681)	C-13111/X(US&CA) (No.51681B)		
△	6	LCT0606-001A-A	LCT0606-001B-A	INST BOOK (CA) [FRENCH]	Not Interchangeable

Changed around the Tuner(Page 2-5)



Changed



JVC SERVICE & ENGINEERING COMPANY OF AMERICA

DIVISION OF JVC AMERICAS CORP.

Head office :	1700 Valley Road, Wayne, New Jersey 07470	(973)315-5000
East Coast :	10 New Maple Avenue, Pine Brook, New Jersey 07058	(973)396-1000
Midwest :	705 Enterprise St. Aurora, Illinois 60504	(630)851-7855
West Coast :	5665 Corporate Avenue, Cypress, California 90630	(714)229-8011
Southwest :	10700 Hammerly, Suite 105, Houston, Texas 77043	(713)935-9331
Hawaii :	2969 Mapunapuna Place, Honolulu, Hawaii 96819	(808)833-5828
Southeast :	1500 Lakes Parkway, Lawrenceville, Georgia 30243	(770)339-2582

JVC CANADA INC.

Head office :	21 Finchdene Square Scarborough, Ontario M1X 1A7	(416)293-1311
Vancouver :	13040 Worster Court Richmond B.C. V6V 2B3	(604)270-1311

JVC[®]